

DESIGN GUIDELINES

Free Design Service

Master Catalogue



Hettich

The Hettich logo consists of a stylized graphic of four parallel, slanted lines above the brand name 'Hettich' in a bold, sans-serif font.



* Refer Website

Warranty

For Warranty please refer to website. www.hettich.com/in



Free Design Service:

Looking for Designs to live up your Living Room, Bedroom, Bathroom Et Kitchen. A dedicated team of highly qualified Interior Designers is at your service to provide customised design solution to suit every taste and budget at zero cost to you.

Free Consultation at your doorstep:

Looking for perfect Furniture Fittings solution? A dedicated team of highly qualified professionals is at your service to provide the perfect furniture fittings solution to suit your need and budget at zero cost to you.

Hettich Customer Care Service:

In today's fast paced and technologically advanced era, most of the organizations succumb to the pressure of staying ahead in the competition and often, end up neglecting the most critical aspect of business i.e. CUSTOMERS. Hettich, being a CUSTOMER CENTRIC organization, is very sensitive towards this tendency; hence, we constantly try to provide the best and quality driven products and services.

Enquiry & Customer Services

Toll Free : 1800 209 2096 (office hours)
Email: sales_enquiry@in.hettich.com
customer_services@in.hettich.com
www.hettich.com

Free Training Services:

Free Training Services for carpenters of trade partners and customers

Training Center Address:

Hettich Poddar Wood Work Institute
Plot No.2, First Floor,
DLF Industrial Estate - 1
Near NHPC Metro Station
Faridabad, Haryana

Email: info@hpwwi.com
Ph: 0129 - 4203888



Hettich Forum at Kirchlengern, Germany



Hettich Manufacturing Unit at Indore, India

About Us

The company's origins date back to 1888, when Karl Hettich began making the new clock component he had invented. By 1930, his descendants had diversified into furniture fittings, setting up production in East Westphalia a centre of the German furniture industry.

Today, Hettich, still family owned, has become an industry leader with a worldwide reputation. We're one of the world's largest manufacturers of high-quality furniture fittings, with over 6,000 employees in more than 100 countries. The company's success has been built on four enduring values: quality, innovation, close cooperation with customers and absolute reliability. We work to inspire our customers with our ideas and our passion.

DESIGN GUIDELINES

Free Design Service

Index

Design Work Flow 04

Requisites from Sales Representative 05

Design Process 09

Design Submission 14

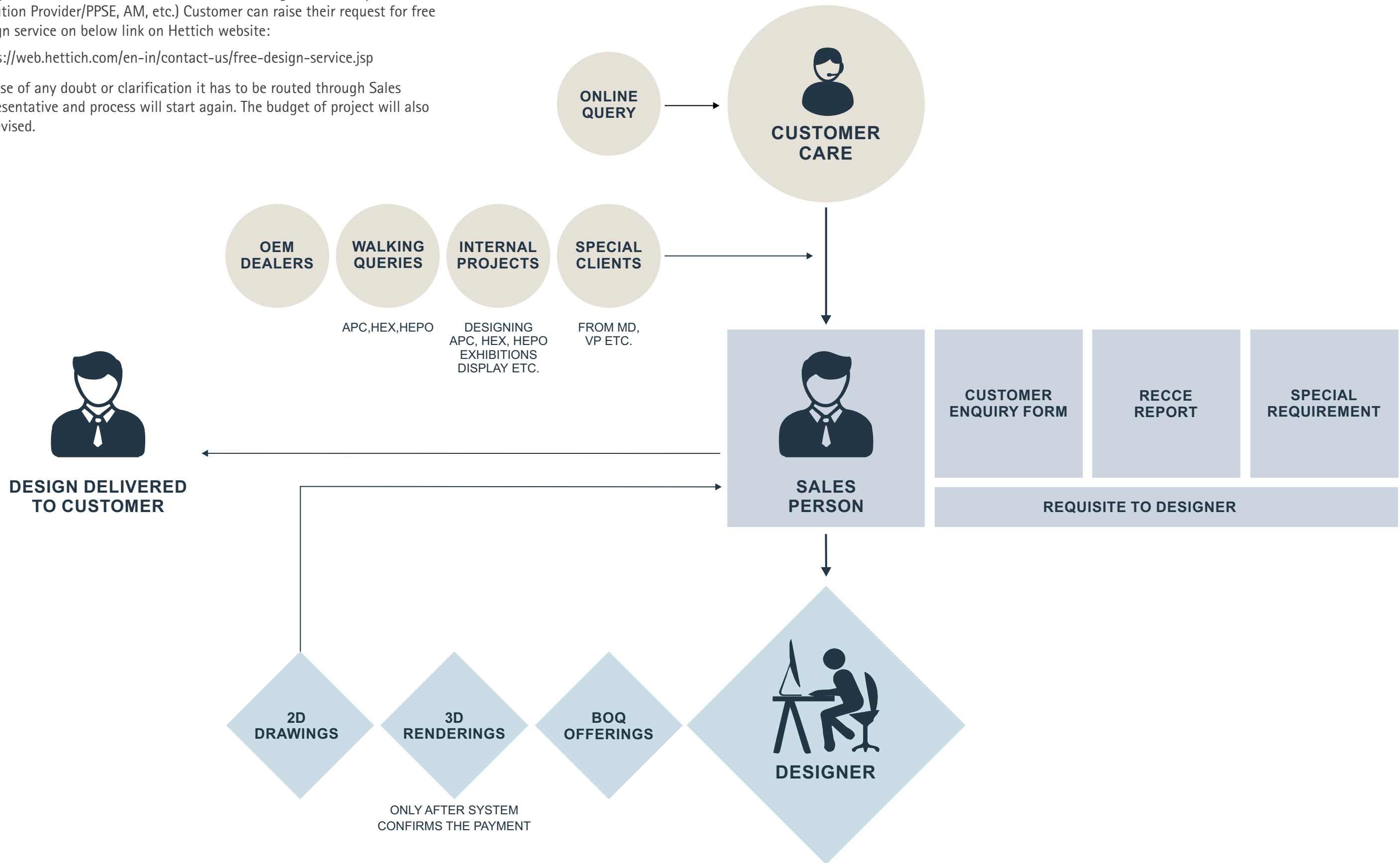
Steps to Read Design 15

DESIGN WORK FLOW

Designs Received from Customer are routed through Hettich Representative (Solution Provider/PPSE, AM, etc.) Customer can raise their request for free design service on below link on Hettich website:

<https://web.hettich.com/en-in/contact-us/free-design-service.jsp>

In case of any doubt or clarification it has to be routed through Sales representative and process will start again. The budget of project will also be revised.



Recce Report/ Site Analysis Detail

1. CAD Plan
2. Store boundary with perimeter walls with Hatching
3. Store Carpet Area
4. Entry/Exit Points
5. Columns and Beams/ Pedestals
6. Floor Levels
7. Staircase/Lift/Escalators
8. Doors
9. Windows
10. Partitions and Paneling – If Existing
11. Clear Ceiling height from finished floor
12. Floor level Difference
13. Plinth & Skirting details to be added.

DATE OF RECCE

Sales Person	Client
Name & Contact No:.....	Name & Contact No:.....
Organization:.....	Organization:.....
Designation:.....	Designation:.....

DEALER NAME & CONTACT DETAILS :

SITE ADDRESS:

CONTACT PERSON & MOBILE No:

PS NOTE: Attach business card / visiting card

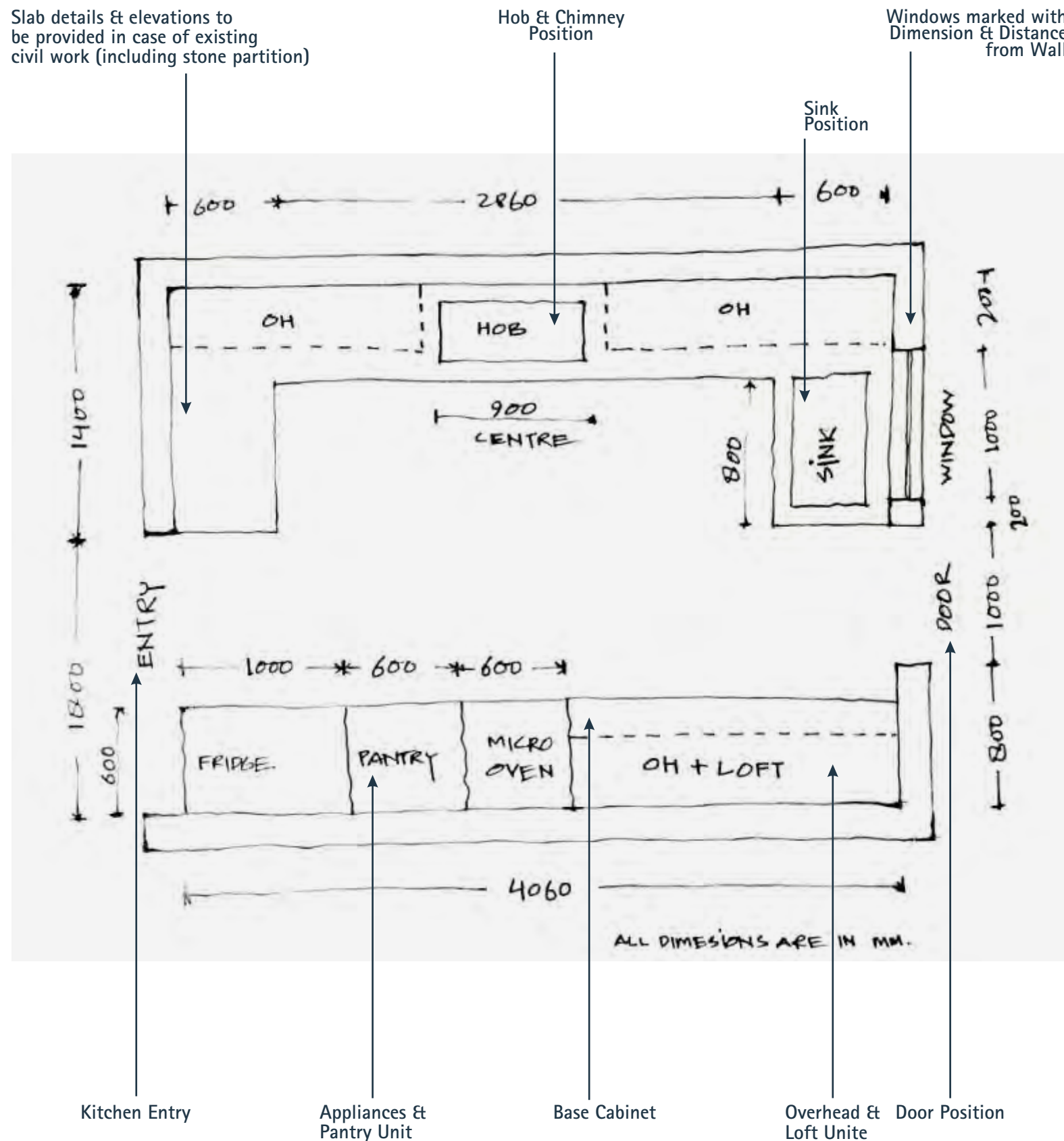
CITY/STATE

REGION

- All Measurements / Dimensions to be done in millimeters (mm / inch)
- CAD drawings to be attached separately with the report

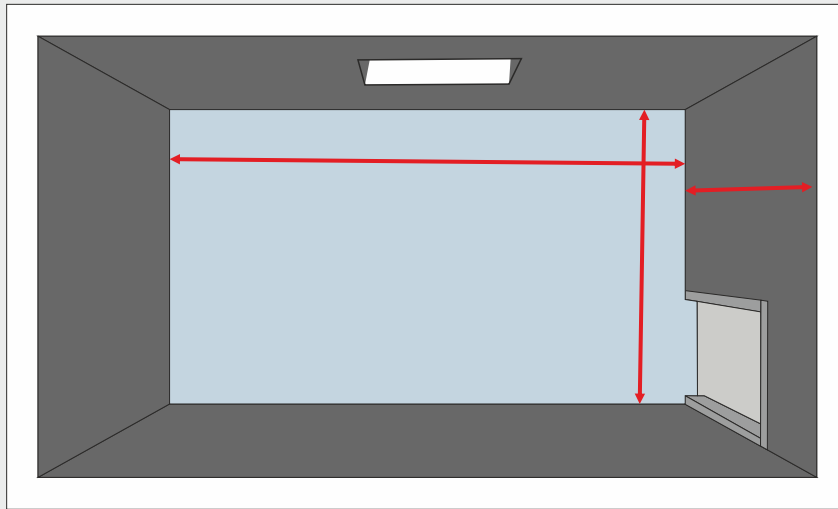
Recce Sketch by PPSE

Slab details & elevations to be provided in case of existing civil work (including stone partition)



Steps to do Recce

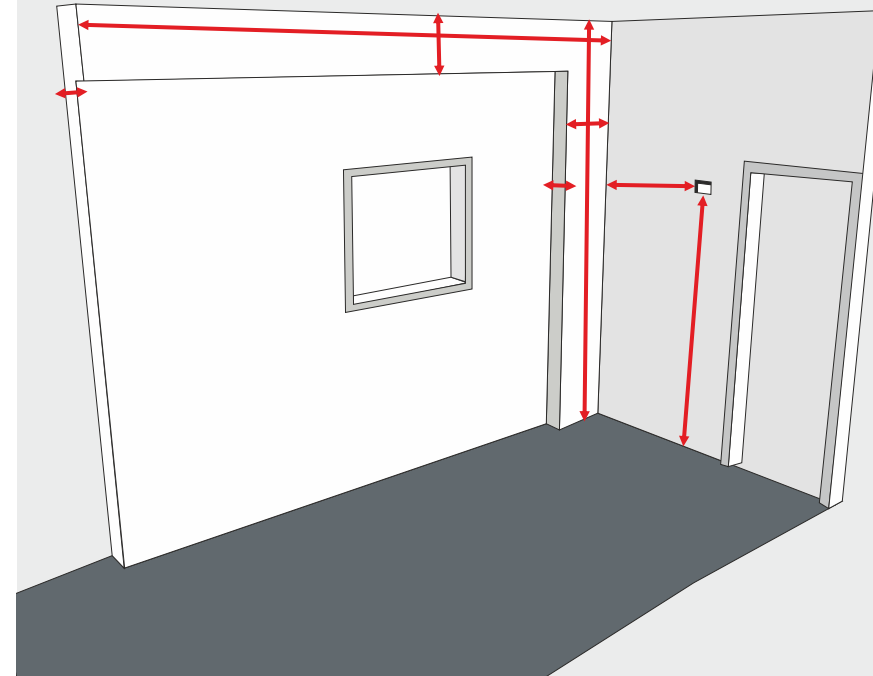
01



Dimensions of all the Walls

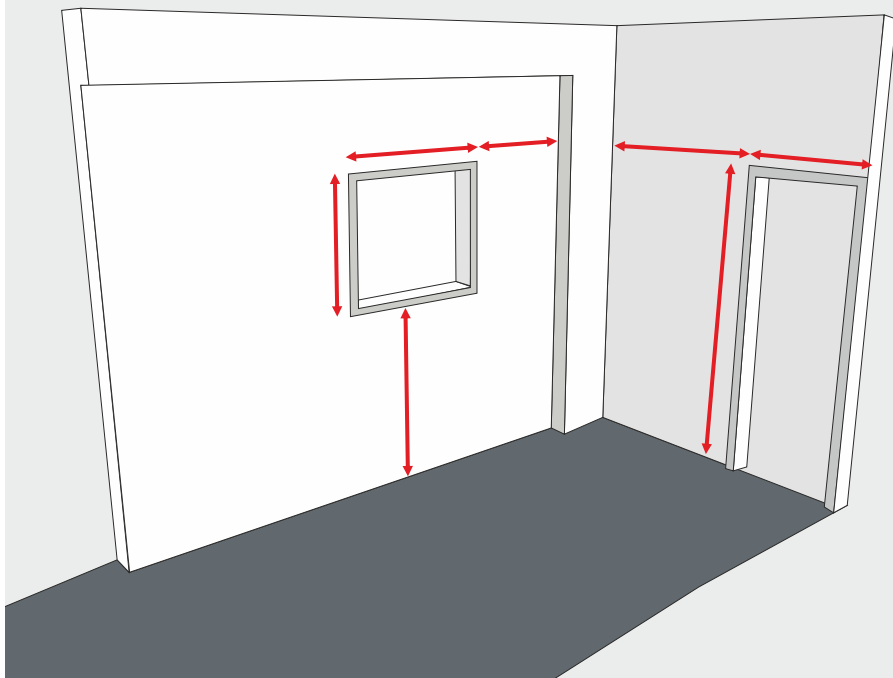
- ▶ Width
- ▶ Height

03



- ▶ Measure all things that projects in to the room such as pipes, beams, columns, etc.
- ▶ Measure and mark the location of electric outlets and note down where you would like new outlets or switches.
- ▶ Measure column & beam depth.

02



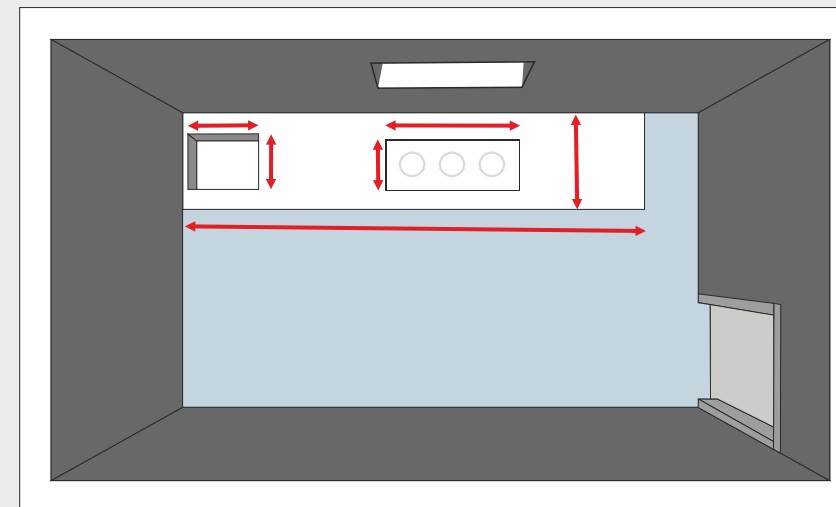
Dimensions of the window

- ▶ Width of the window
- ▶ Height of the window
- ▶ Distance from wall to the window
- ▶ Distance from the floor to the window ceiling.

Dimensions of the Door

- ▶ Width of the door
- ▶ Height of the door
- ▶ Distance from of the wall to the door.

04



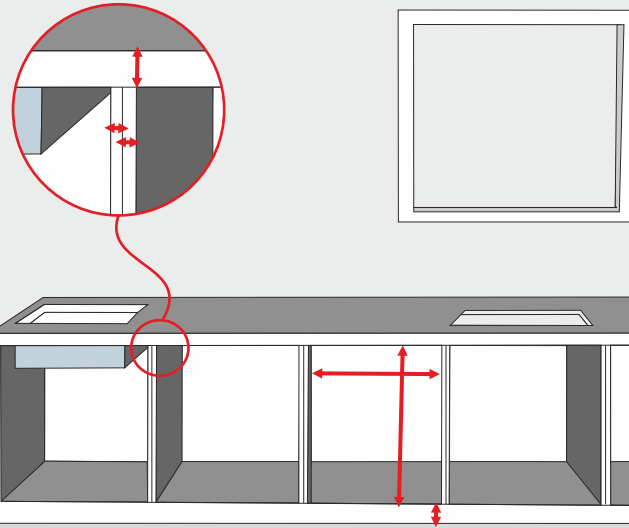
Incase of Existing Platform

- ▶ Width of the Platform
- ▶ Depth of the Platform
- ▶ Sink cutout
- ▶ Hob cutout



Steps to do Recce

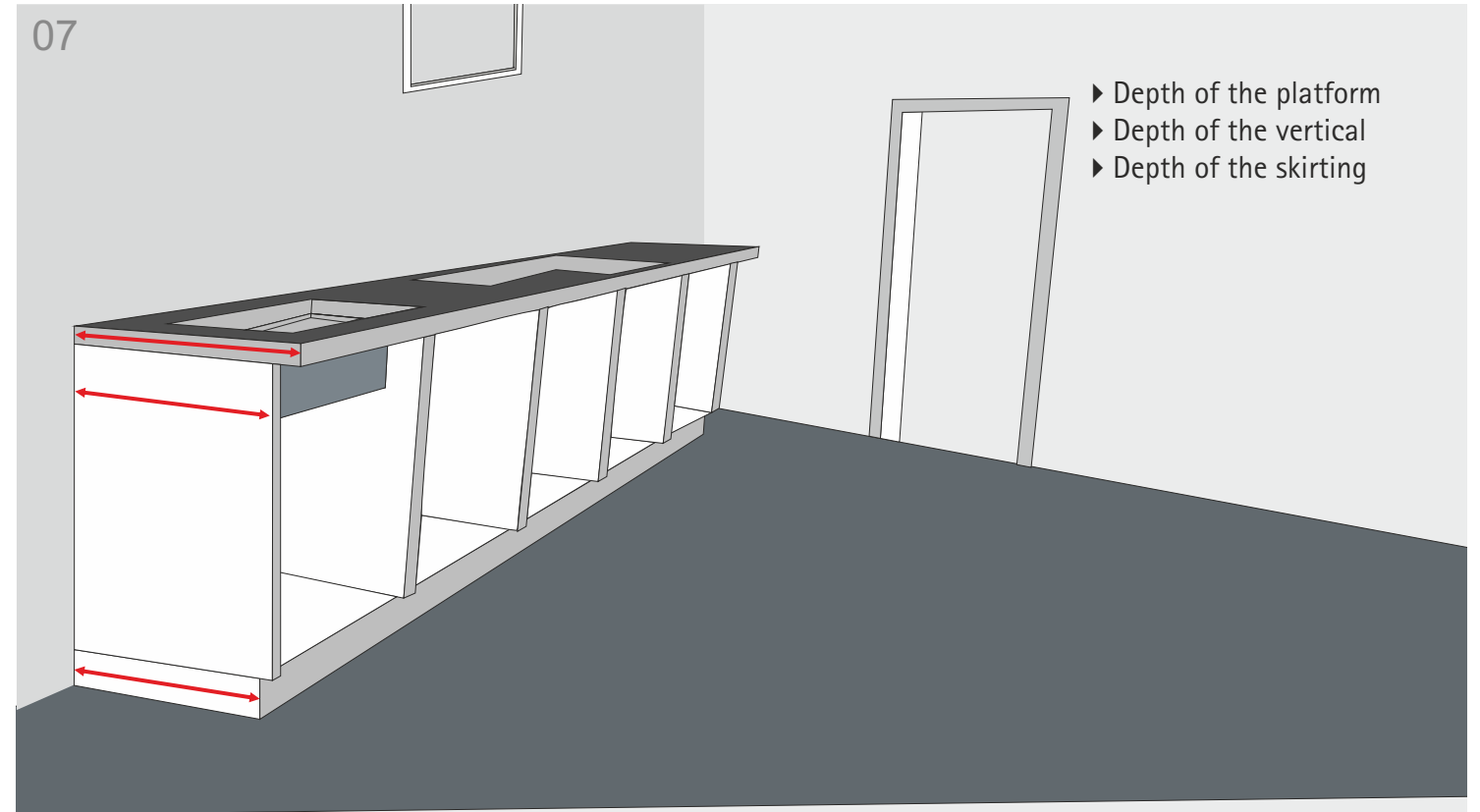
05



- Internal Dimension of the vertical**
- ▶ Distance from one vertical to other vertical
 - ▶ Height of the vertical (From the skirting till the platform)
 - ▶ Thickness of the vertical

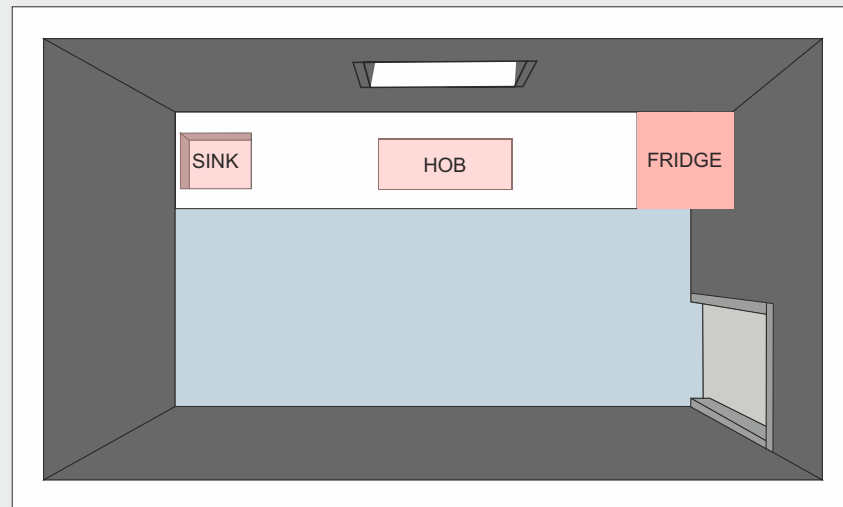
- Height of the Skirting Platform Thickness**
- ▶ Sink & hob cutout dimension to be taken

07



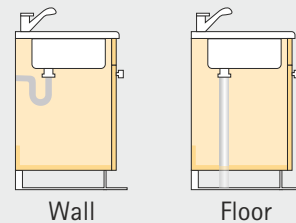
- ▶ Depth of the platform
- ▶ Depth of the vertical
- ▶ Depth of the skirting

06



- Placement of appliances should be shown**
- ▶ Dimension of the appliances (width x depth x height)
 - ▶ Cylinder or pipeline Gas to be mentioned.

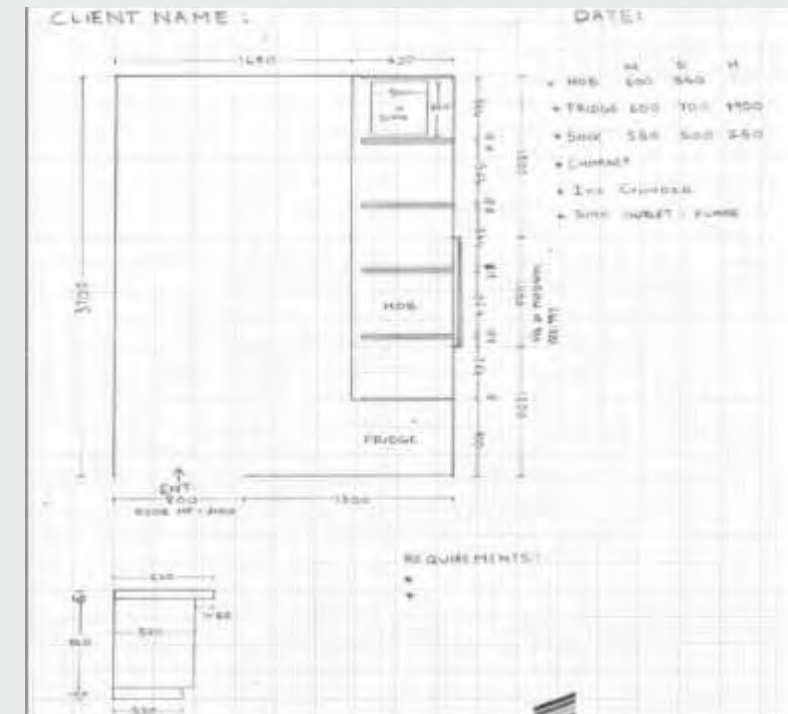
Sink Outlet



Wall

Floor

08



Measurement Sample



Folder Name (Nomenclature)

The Design file should always be named as follows:

Date of receiving project/month/year_starting three characters of designer's name_starting three characters of client's name.




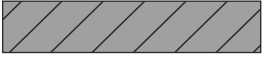
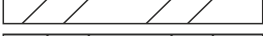



Eg.- If you have received project on 1st of May 2021 of client Mr. Rajiv and designer is Ankita, then Folder Name will be 010521_ANK_RAJ

File Storage System

As per above example folder name, there will be four sub folder in that: -

1. Data Received- Data received from sales team
2. 2D Design- Autocad File and PDF file (i.e., Plan & Elevation)
3. 3D Design- KDS Max File and rendered view.
4. BOQ- Quotation of hardware, stone & appliances.

2D Drawing

	Existing Timber or Metal Partitions
	New Timber or Metal Partitions
	Existing Concrete Block
	New Concrete Block
	Existing Brick
	New Brick
	Existing Concrete
	New Concrete

Following points to be followed by designer before starting 2D:

- **Wall Types**

A set of wall types is saved in the favorites menu. Please refer to these. Generally existing walls are set to a lighter and thinner pen weight, and new walls are darker and thicker to stand out. Check wall thickness before use.

- **Fills**

Make sure your display option is set to vectorial fills to get the same fill printed as you see on screen. All fills can be rotated. Fills can also be scaled independently or scaled with the plan. Predefined favourites in the default projects have appropriate fills & these should be used where appropriate.

- **Line Weights**

Pen weights are set up relating to the type of element they are used with. These pens take up numbers 1 to 120. All these pens are set up to print to black when printed.

There should be no need to change these pens.

Next is a line of white pens for backgrounds.

141 – 150 are thinnest to thickest pen weights (again these print to black).

151 to 160 are shades of grey, and print as shown.

The rest of the pen colours can be customised as required.

Predefined favourites in the default projects have appropriate line weights set & these should be used where appropriate.

Use Hettich Colour for general drafting.



2D Drawing

Line types

General

Predefined favourites in the default projects have appropriate line types set & these should be used where appropriate.

Arrowheads

Arrowheads for general notation are narrow and closed. The line weight needs to be lightweight through to keep the arrowhead crisp. It also needs to be small or it becomes too dominant and can obscure detail.

Only bend the arrow once and try to keep angle arrows parallel.

Use pen one, to keep the line weight fine. Arrowhead is generally 1.0mm high.

An open-headed shallow arrow is used for direction pointers e.g. direction of ramps or stairs.

The arrowhead should be heavier in this case e.g. .25 or .35 to give definition. The direction should also be written at the head of the arrow. A dot or closed circle usually marks the beginning of the slope.

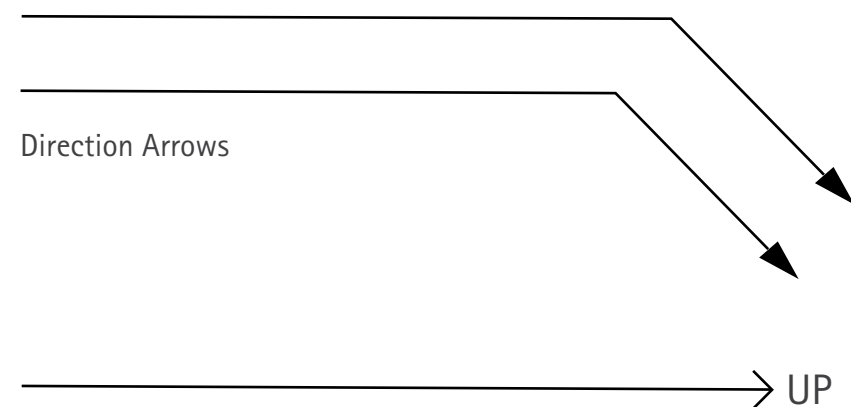
Text should be 1.8mm and the marker size 1.5mm. Marker should be a heavier line weight e.g. .18

Text

All text shall be Agfa Rotis Sans Serif. General notation is 1.8mm and upper case. There is no need to punctuate at the end of a note but do so between sentences to avoid confusion. Use the label tool for text with arrows & labels. Arrows run from center of the note. Text should be justified to make layouts clearer.

Dimensions

Generally we try to place dimension strings to the left and to the top of our drawings – this is preferred. But, sometimes a drawing is more readable if some dimensions are to the right or bottom.



Line types

The standard title shall be Agfa Rotis Sans Serif in "Uppercase" form. eg. PLAN, ELEVATION A, ELEVATION B, etc.

Elevation Markers

An example can be found in the template project. If necessary, enter a prefix and suffix for the elevation label.

Detail Markers

An example can be found in the template project. The top number or letter is the Detail Identification. The bottom number refers to the sheet on which to find it.

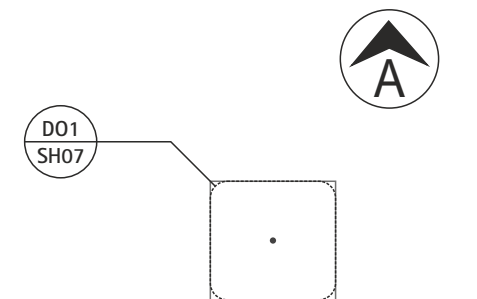
Legend

Headings will be in CAPS and bold letters, rest all will be in

Sentence form i.e., first letter will be in CAPS and rest all in small.

All headings & name will have to be centered aligned.

Font Style in whole drawing and format will be Agfa Rotis Sans Serif.



Agfa Rotis Sans Serif



Regular
Bold
 Regular
Bold

2) REVISION:			
1) REVISION:			
ISSUE DATE: 27-01-2021			
DWG FOLDER 230121_NIT_JAS	TITLE Plan and Elevations		
CLIENT Jaskaran Singh	MARKETING REP. Mayank Singh	Only name no Mr/Mrs /Ms	
DESIGNED BY Nitish Patil	CHECKED BY Manish Kumar		Only name No Sir
<p>Technik Für Möbel</p> <p>Hettich India Pvt Ltd</p> <p>A -26/4, 1st Floor, Mohan Co-operative, Industrial Estate, New Delhi-110044</p>			



3D Requisite

Slabs, walls, doors, windows, roofs and joinery should all be drawn in 3D in the right size and location as given in client brief. Detail that is added dimensionally should be placed over the actual model not as part of a separate dimensional drawing. This means the 3D elements only need to be changed once when required and not done manually throughout the project if it was 2D. This means accurate modeling of the basic structure is important but it also reduces the chance of mistake due to oversight.

- If the budget is 5 lac, then the designer will proceed for design along with 3D.
- If the budget is < 5 lac and 3D renders are asked, the customer has to pay 3D charges (i.e, Rs.1000+ GST) and after receiving confirmation of payment, accordingly designer will proceed along with 3D modeling or without 3D.

For 3D , Following will be the process:

- Sales person will share Hettich account details with customer
- Customer will transfer INR 1180 inclusive GST
- Customer will inform Sales person about the transfer
- Sales person will send email to nitin_shirke@in.hettich.com with customer details (Name, Address, Mobile, Email Id and Pan Card)
- Nitin will confirm the payment and send invoice to sales person.

Following is the Hettich account details for 3D charges:

Bank Name: Punjab National Bank. A/c No: 3736002101015782.

IFSC Code: PUNB0373600 (RTGS / NEFT Purpose).

Address: Hanuman Road, Vile Parle (East), Mumbai - 400 057

PREREQUISITE OF 3D DESIGNS

DESIGNER NAME: PROJECT NAME: ZONE:

S.No	ITEMS	TYOLOGY / SWATCH / IMAGE	REMARKS
1	Flooring	Tile / Marble / Concrete / Wooden	
2	Walls	Colors from Dulux, Asian Paints etc.	
3	Ceiling	Open / False Ceiling	
4	Door/Window	Frame Details	
5	Outside Window View	Geographic Environment	
6	Prpos	Contextual	
7	Branding Inside-Out	Brand Board / Graphic / Posters etc	
8	Lights	Ceiling / Lamps / Pendants etc	
9	Cabinet Finishes	Kitchen Wardrobes etc	

NOTE: Requisiter Has to be Filled Each details
Site Details Can be Added in Remarks

Props, Kitchen



CROCKERY TYPE 1



CROCKERY TYPE 2



CUTLERY TYPE 1



CUTLERY TYPE 2



CUTLERY STAND



TEA POT SET TYPE 1



TEA POT SET TYPE 2



GLASS JAR 1



CUP & SAUCER 1



GLASS JAR 3



POT & PAN TYPE 1



POT & PAN TYPE 2



GLASS JAR 3



SPRINKLERS



SMALL PLANTERS

Props, Wardrobe



CLOTH HANGER



BEDDING



TIE



TROUSERS



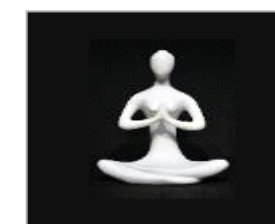
SHIRTS



BELT



CUSHIONS



SHOWPIECES



BOOKS



CANE BASKET



METAL BALL



GLASS VASE



WINE GLASS



ICE BUCKET



TABLE CLOCK



BOQ

Designer will use Simacle (<https://hettichquotations.com/login1.php>) for making Hardware, Appliances & Stone BOQ. Stone and appliances quotation will be separate from that of hardware quotation on Simacle.

Quotation



HETTICH INDIA PVT.LTD

A 26/4, 1st Floor, Mohan Co-operative Industrial Estate,
New Delhi - 110044
Website: hettich.com
Phone : 011 48894000
Fax : 011 48894044

M/s. JMD PROJECT

, UP

Prepared By :Praveen Sharma

Date : 19-DEC-2020
Quote No : 191220_PRA_JMD
Customer Id : Jatin Mittal
Valid Until : 19-JAN-2021
Payment Term : Advance

S.No.	Article No	SAP Code	HSN Code	Product Image	Description	MRP	Qty	Unit	Category	Disc%	Tax%	Total
1.	9271625	927162500	73211110		G Hob-Temp BG 5-Burner 86 cm(5GH85BB590)	44490.00	1	PCE	A	0.00	0.00	44490.00
2.	9271634	927163400	84146000		Box HoodWall 90cm BG 4L4x2 Led(5DS69760)	79990.00	1	PCE	A	0.00	0.00	79990.00
3.	9271127	927112700	85165000		MWO W60 34+1L 6F Blk Gls(5KD94190GB)	119990.00	1	PCE	A	0.00	0.00	119990.00
4.	9271168	927116800	84221100		DW-Compact W60 8place 5mode(5VC730XA)	129990.00	1	PCE	A	0.00	0.00	129990.00
5.	9271222	927122200	68109990		Miami Wht Std Sz 306x141x1.2cm(S242537)	88000.00	2	PCE	A	0.00	0.00	176000.00
Sub Total						550460.00						
PU Breaking						0.00						
Air Freight						0.00						
Sub Total						550460.00						
Tax Amount @ 0.00%						0						
Tax Amount @ 0%						0						
Tax Amount @ %						0						
Total Amount						550460.00						

Terms & Conditions :

- Our responsibility ceases if shortages/damages are not reported within 24 hours of receipt of goods.
- Goods are sold on non-returnable basis.
- Payment by account payee cheque or demand draft only. Interest @ 18% p.a for delayed payment.
- For warranty please refer www.hettich.com/in_EN/services/hettich-contact/warranty.html
- Quotation is valid for 30 days

Sample of Appliance & Stone Quotation on Simacle



HETTICH INDIA PVT.LTD

A 26/4, 1st Floor, Mohan Co-operative Industrial Estate,
New Delhi - 110044
Website: hettich.com
Phone : 011 48894000
Fax : 011 48894044

Quotation

M/s. JMD PROJECT

, UP

Prepared By :Praveen Sharma

Date : 19-DEC-2020
Quote No : 191220_PRA_JMD
Customer Id : Jatin Mittal
Valid Until : 19-JAN-2021
Payment Term : Advance

S.No.	Article No	SAP Code	HSN Code	Product Image	Description	MRP	Qty	Unit	Category	Disc%	Tax%	Total
1.	9243155	924315500	83021090		AT PP H186 L500 ASI2 40kg/rail SET HIN	6694.00	3	PCE	B	0.00	0.00	20082.00
2.	9243161	924316100	83021090		AT PP H186 L500 ASI2 80kg/rail SET HIN	8480.00	2	PCE	B	0.00	0.00	16960.00
3.	9122801	912280102	94039010		AT SK 94 L-FRONT B 900 ASI SE20510	4060.00	1	PCE	B	0.00	0.00	4060.00
4.	9121851	912185100	83024200		AT BP-conn. 218 PU 30 ASI2 LH HE57783	396.00	2	PCE	B	0.00	0.00	792.00
5.	9121852	912185200	83024200		AT BP-conn. 218 PU 30 ASI2 RH HE57784	396.00	2	PCE	B	0.00	0.00	792.00
6.	9122003	912200302	73269098		AT ASS L- RAILING-AN L500 ASI LH SE20487	375.00	2	PCE	B	0.00	0.00	750.00
7.	9122004	912200402	73269098		AT ASS L- RAILING-AN L500 ASI RH SE20488	375.00	2	PCE	B	0.00	0.00	750.00
8.	9123080	912308004	39263000		AT drawer front stabiliser -film SE21036	274.00	2	PCE	B	0.00	0.00	548.00
9.	9218026	921802600	94039010		CARGOMAN SOFT CL CORNERPULLOUT 450RH SET	35148.00	1	SET	A	0.00	0.00	35148.00
10.	9154601	915460100	73239990		BIN.IT CLASSIC 131 SS/BL - BULK	3349.00	1	PCE	A	0.00	0.00	3349.00
11.	9197058	919705800	73239390		Detergent Holder Cargo Series	1838.00	1	PCE	A	0.00	0.00	1838.00
12.	9210442	921044200	73239390		Spice Pull-Out Cargo Series W234	5426.00	1	PCE	A	0.00	0.00	5426.00

Sample of Hardware Quotation on Simacle



Design Docket

PDF compiling software (<https://combinepdf.com/>) for making a design docket, design docket includes Cover Page, Enquiry Form, 2D, 3D design, All BOQ, Hettich Products & End Page.

The design docket is saved in the folder by name of the client_ Hettich. eg. As per above example for saving data, if the name of the client is Rajiv Kumar, then the design docket will be saved as Rajiv Kumar_ Hettich.

Procedure To Send Design To Sales Team

The design docket is then shared to the sales representative on mail. sales representative shares the same design docket to the customer for approval.

If there is any feedback from the customer end in the design then the sales representative will share the client's feedback to designer for changes.

If there is small change in the drawing, then it will be counted as old drawing else for major changes it will be counted as new drawing. The process is started again for sending files and getting approval.

After final approval sales representative will share the final quote with designer.

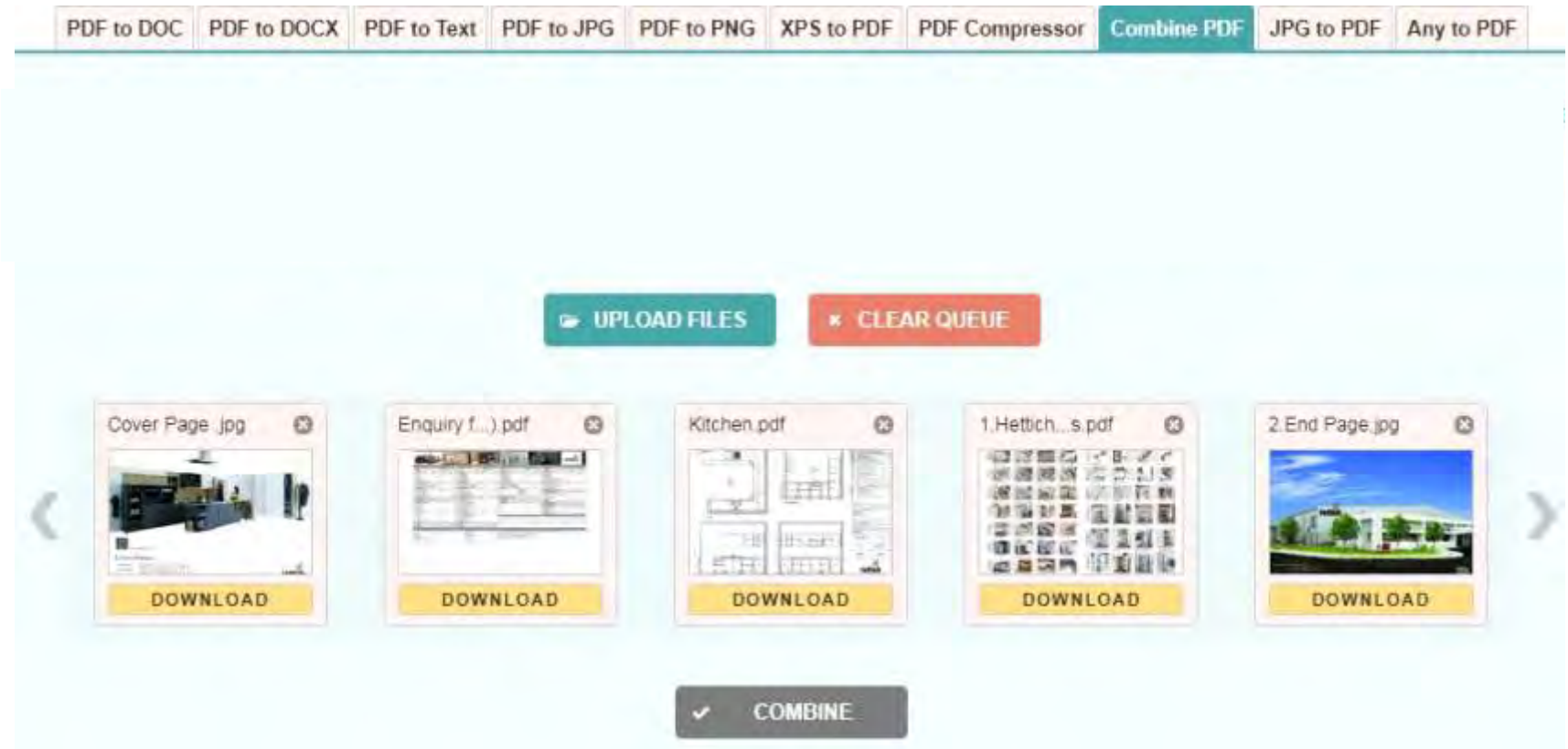
Design Report

Everyday designer maintain their design report of the projects and at the end of the day they share their report via mail to design head and subject of the mail will be DDR_date/month/year. Eg. DDR_120619.

Designers have full right to ask conversion report from sales person on mail copying RM of respective zone.

Steps for making cohesive PDF

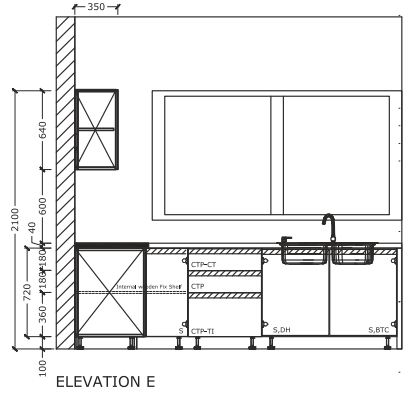
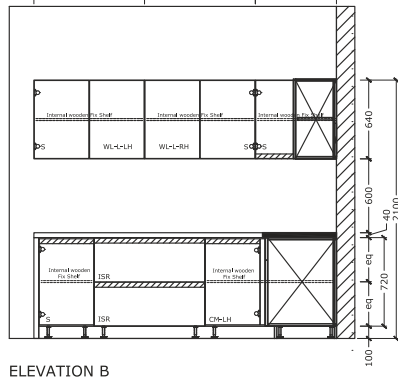
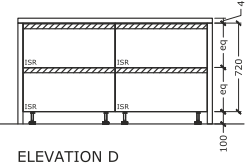
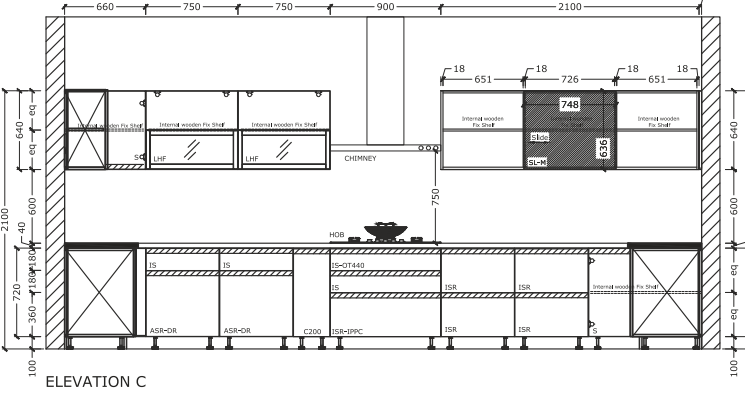
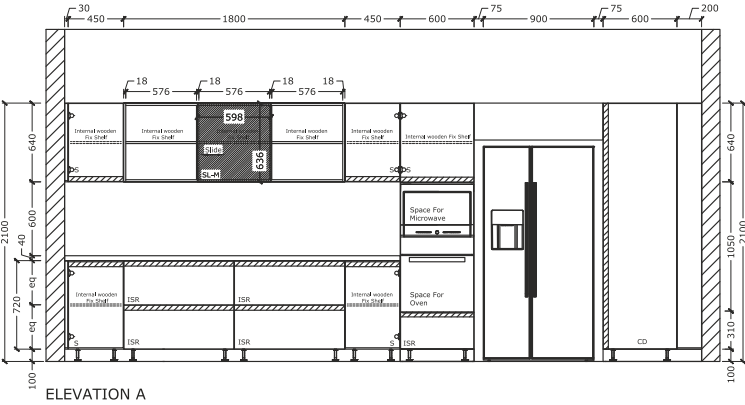
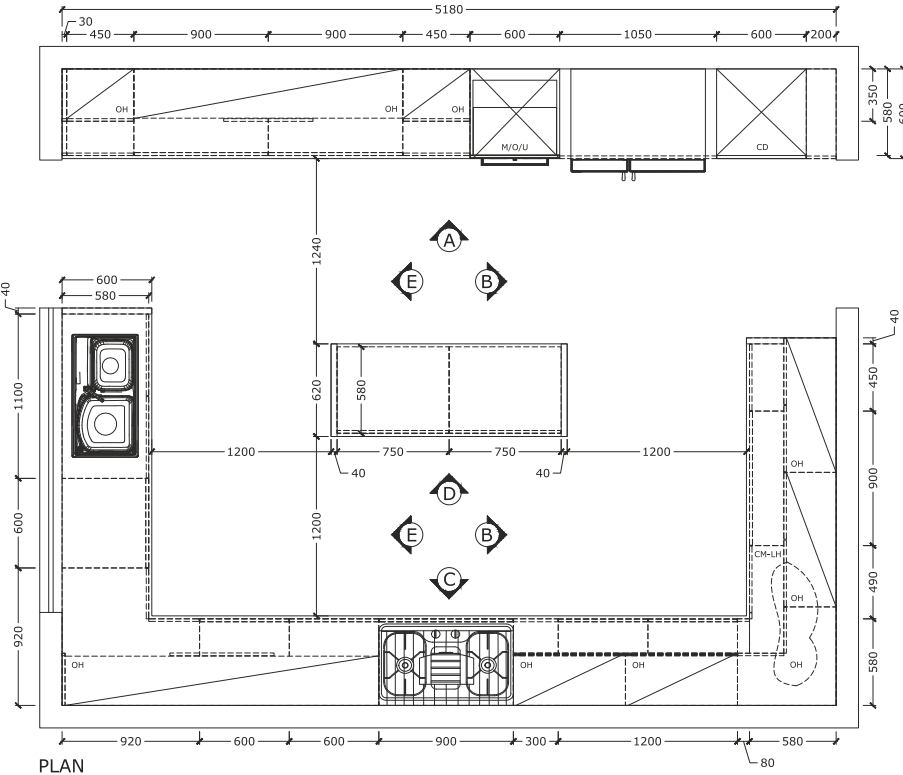
<https://combinepdf.com/>



Kitchen & Wardrobe Design Sample

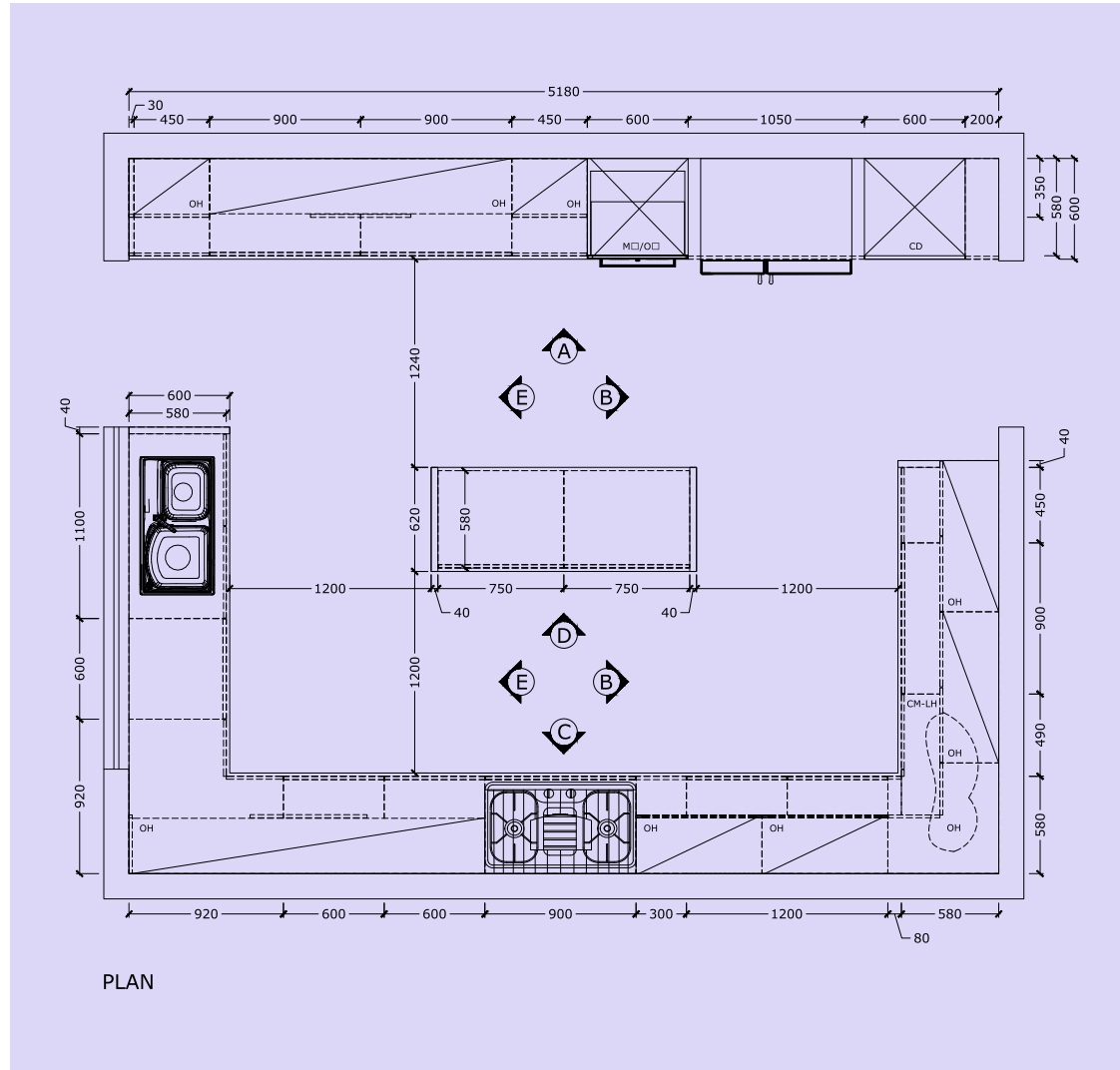


Sample of AutoCad Drawing

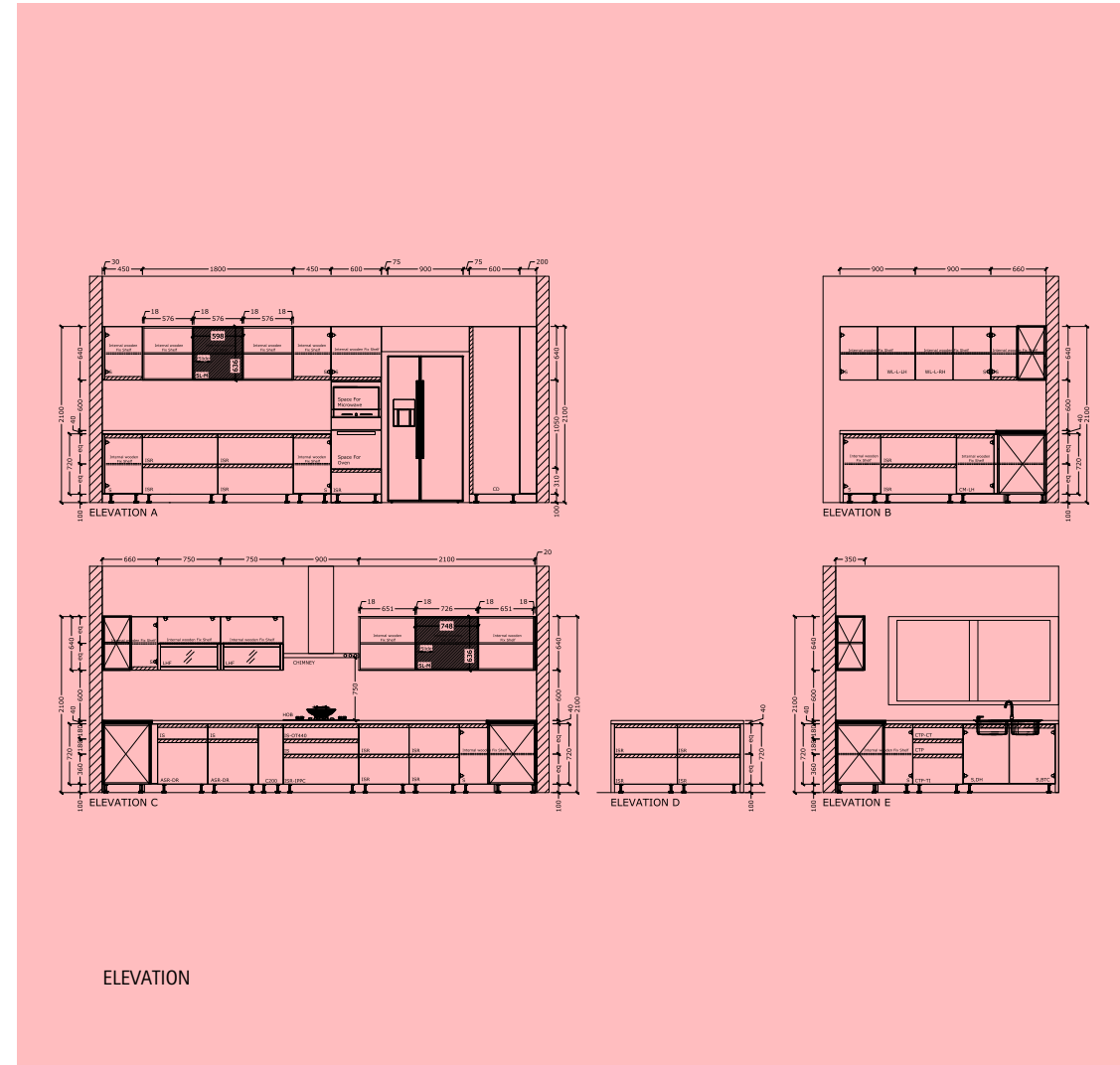


Sample of KD Max 3D Render





LEGEND	
BASE UNIT CABINETS	
01 CD	Cargo Duo (8 Layers) - 600mm
02 CM-LH	Cargotech 450mm Left Hand with Blind Corner Hinge(90° degree)
03 M-JO	Microwave and Oven Tall Unit
OVER HEAD CABINETS	
01 OH	Overhead Storage
Cabinet: InnoTech (depth 470 mm) Silver finish with TopSide Cargotech (depth 500 mm) Chrome Plated. Handles: Esinga G-Profile Counter Top: Silestone (Hettich) Built-In Appliances: Blaupunkt (Hettich)	
Notes: 1) All dimension indicated in the drawing is tentative and it should be cross checked at site. 2) All dimension are outer to outer including 18mm thick board partition for making carcass. 3) Use Hettich Screws for best result & Lights for great ambience.	
2) REVISION: 1) REVISION: ISSUE DATE: 23/01/2020	
DWG FOLDER 221220_PRA_SAN	TITLE Plan
CLIENT Sandeeep	MARKETING REP. Shubham Skumar
DESIGNED BY Praveen Sharma	CHECKED BY Manish Kumar
<p>Technik Für Möbel Hettich India Pvt Ltd A - 28/4, 1st Floor, Mohan Co-operative Industrial Estate, New Delhi-110044</p>	



LEGEND	
BASE UNIT CABINETS	
01 B	Sensys hinge for shutter
02 B	Innotech powder coated steel-Silver (70 / 470mm)
03 BR	Innotech powder coated steel-Silver with Railing 144 / 470mm
04 OT440	OrgaTray 440 Plastic Cutlery Tray
05 ASR-GR	Arcotech Pot&Pan drawer - with Double Railing
06 IPPC	InnoTech Pot&Pan drawer with Crosswise Railing
07 WTC	Bin IT Classic - 13L (Waste bin p /out
08 BH	Detergent Holder Cargo
09 CTP-CT	CargoTech Wire Basket Plain with Cutlery Inlet - 536w x500d x100Ht with Quadro Channel
10 CTP	CargoTech Wire Basket Plain - 536w x500d x100Ht with Quadro Channel
11 CTP-TH	CargoTech Wire Basket Plain with Thall Inlet - 536w x 500d x 200Ht with Quadro Channel
12 C300	Cargo IQ 200-300mm (Buttle P- /ou) with Quadro Channel
13 CM-LH	Cargoman 450mm Left Hand with Blind Corner Hinge(90° degree)
14 CD	Cargo Duo - 600mm (8 Layer's)
OVER HEAD CABINETS	
01 LHF	Folding Flip Fittings-LR Advanced HF with 45mm Alum. Profile
02 B	Sensys hinge for shutter
03 WL-L	Wingline L, Right & Left Hand,Sliding Folding fitting - Push to Open
04 SL-M	Slideline M (2500mm)
Cabinet: InnoTech (depth 470 mm) Silver finish with TopSide Cargotech (depth 500 mm) Chrome Plated. Handles: Esinga G-Profile Counter Top: Silestone (Hettich) Built-In Appliances: Blaupunkt (Hettich)	
Notes: 1) All dimension indicated in the drawing is tentative and it should be cross checked at site. 2) All dimension are outer to outer including 18mm thick board partition for making carcass. 3) Use Hettich Screws for best result & Lights for great ambience.	
2) REVISION: 1) REVISION: ISSUE DATE: 23/01/2020	
DWG FOLDER 221220_PRA_SAN	TITLE Elevation's
CLIENT Sandeeep	MARKETING REP. Shubham Skumar
DESIGNED BY Praveen Sharma	CHECKED BY Manish Kumar
<p>Technik Für Möbel Hettich India Pvt Ltd A - 28/4, 1st Floor, Mohan Co-operative Industrial Estate, New Delhi-110044</p>	

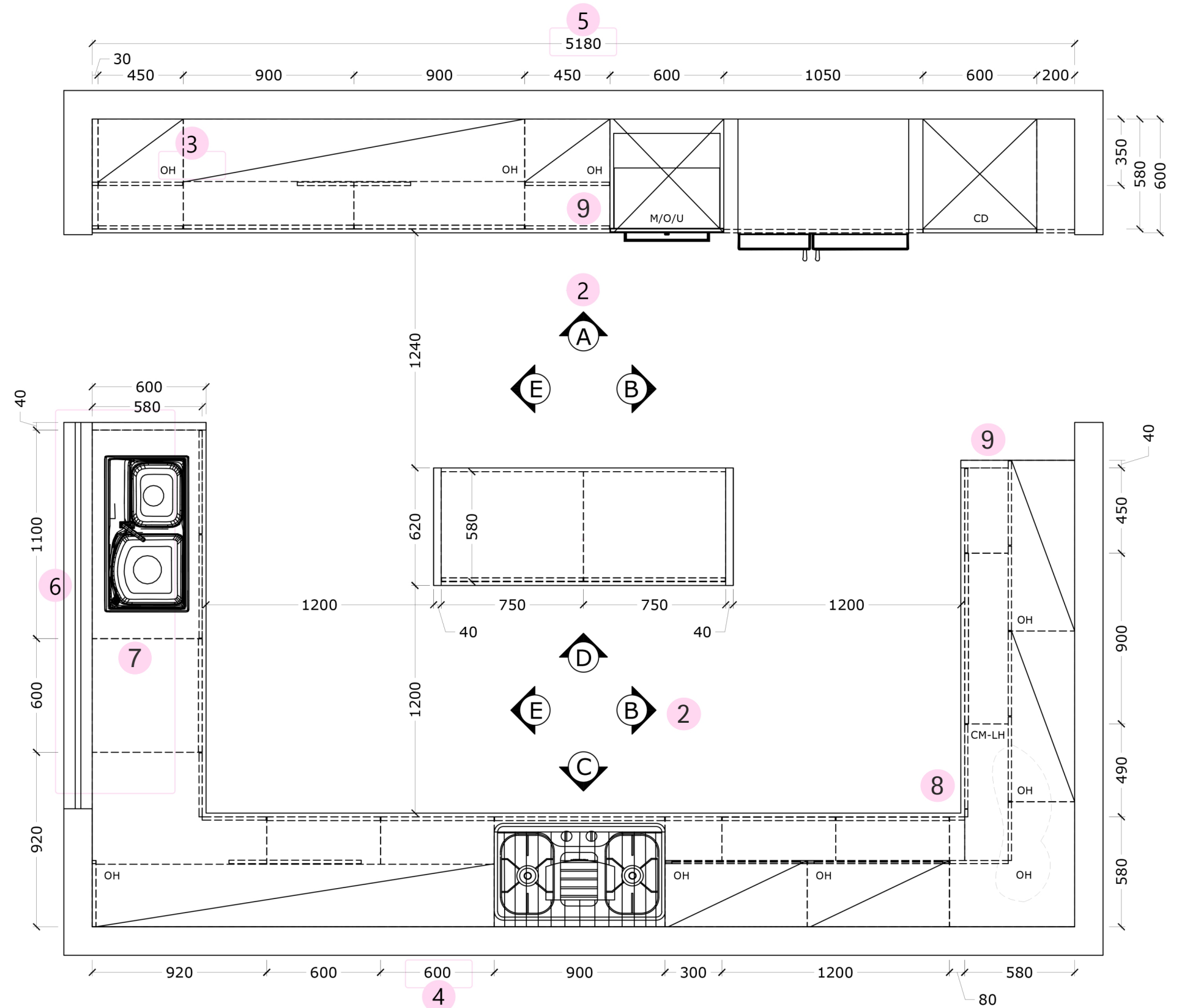
1. Indicates "Plan" which shows horizontal dimension, position of hob, sink, & other appliances used in the kitchen.
2. Indicates "Elevations" which shows vertical dimension of cabinets as well as horizontal dimension of overhead cabinets & level between slab & over- head cabinets. Next page for Elevation.
3. Indicates "Legend".

NOTE: Pages of Design may be increase or can set in one page as well.



Plan Drawing

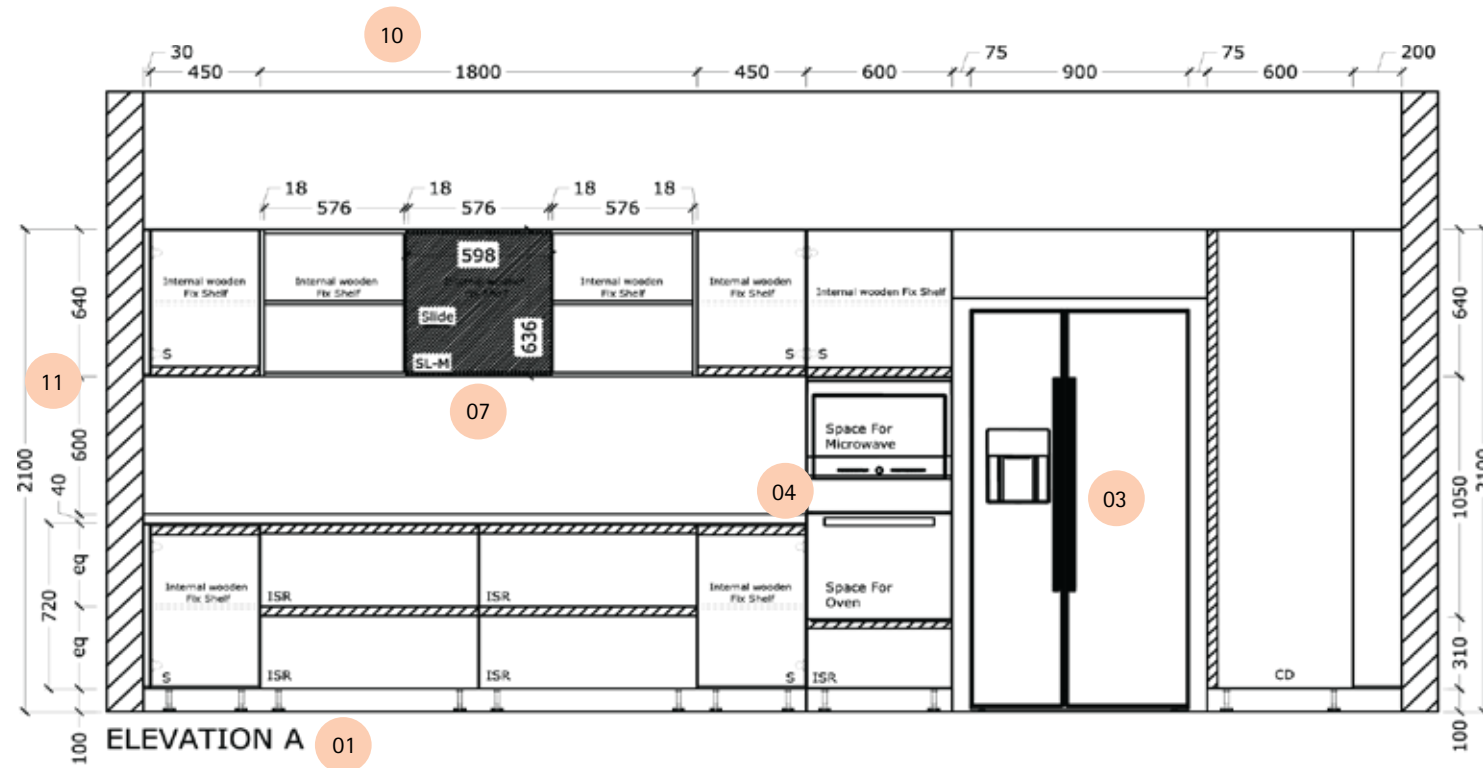
1. This shows that we are looking at the kitchen planning from top/ bird's eye view & it shows the placement of type of cabinets and appliances etc. This also helps in getting the width & depth of cabinets/walls as well as the shape of kitchen.
2. This symbol indicates the directions of elevation or wall.
3. This is abbreviation of fittings i.e., tall unit, overhead units or base units used in the layout. eg. OH-Overhead Cabinet, etc.
4. This shows the outer width of the cabinet.
5. This shows the end-to-end dimension of Kitchen.
6. This symbol indicates the window.
7. Dotted line indicates what is behind/underneath.
8. Fillers in the corner indicated.
9. Visible sides or end panels are mentioned.



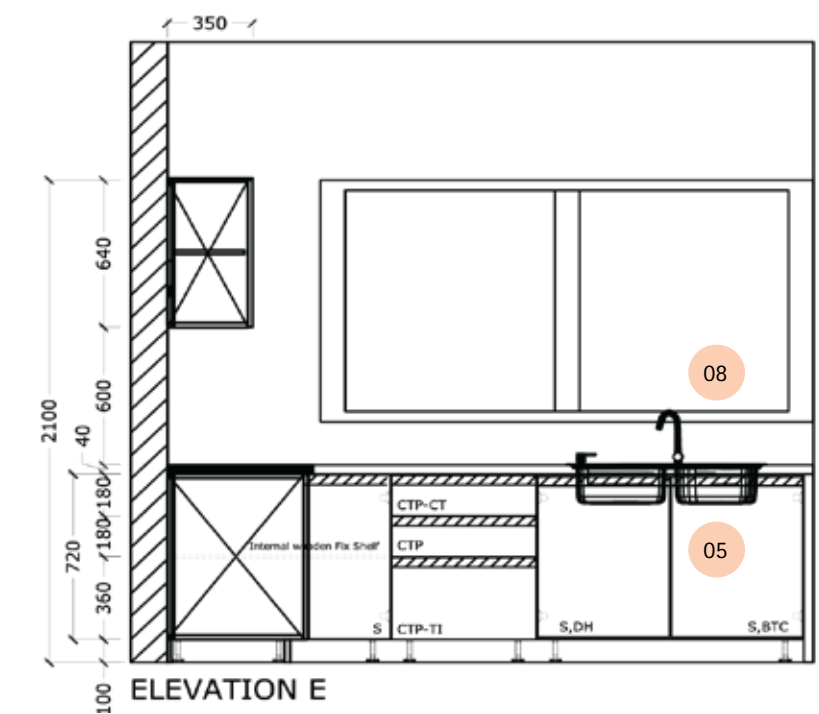
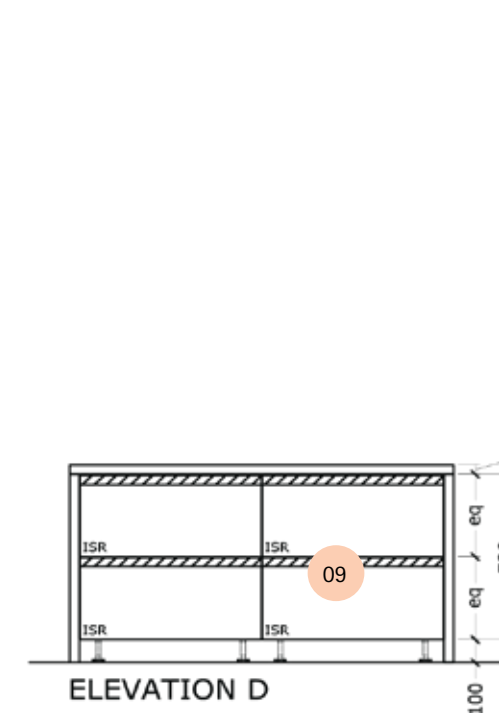
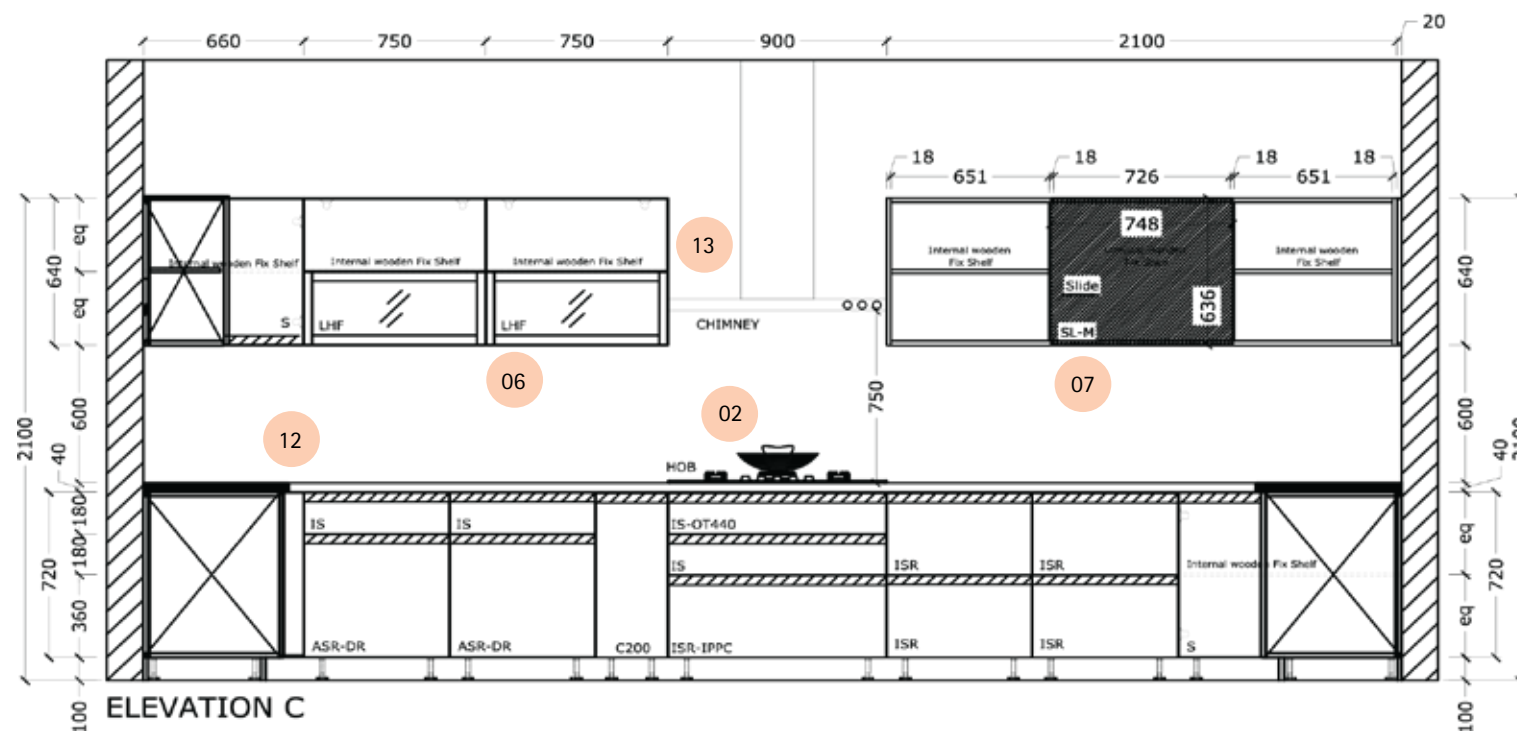
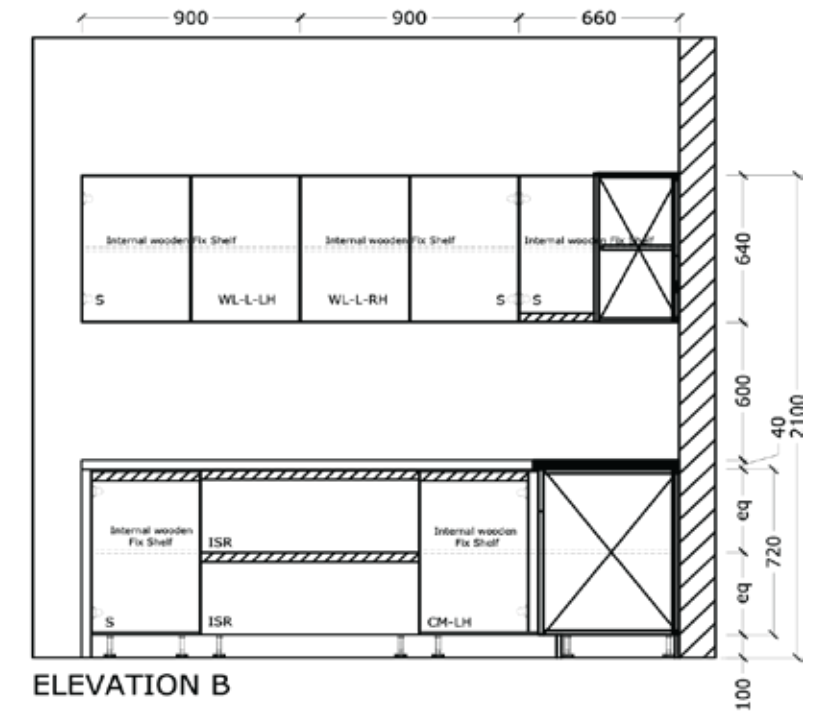
1 PLAN



Elevation Drawing




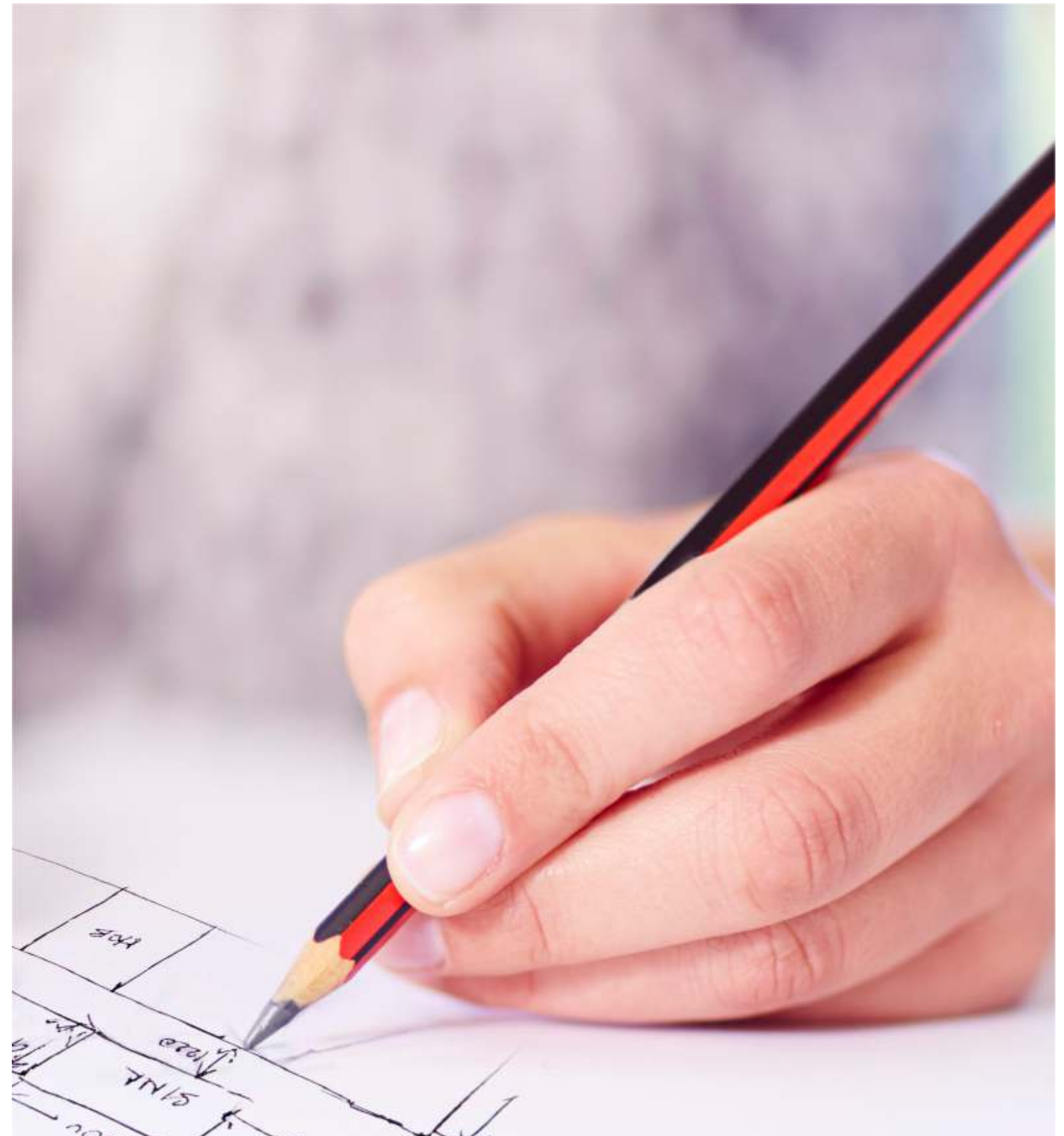
- 01 This indicates the direction of elevation which helps in getting the height of cabinet and their divisions.
- 02 Indicates hob & chimney.
- 03 Indicates refrigerator.
- 04 Indicates appliances.
- 05 Indicates Sink.
- 06 Aluminum frame with glass.
- 07 Slideline M.
- 08 Indicates window.
- 09 This shortcuts name indicates type of Hettich product we are using in the Kitchen.
- 10 The width of overhead unit.
- 11 This shows the height of cabinet partition & Level of the platform & overhead units. This shows vertical dimension of the cabinetry & other items/Product.
- 12 Fillers in the corner indicated.
- 13 Visible sides or end panels are mentioned.



Drawing Legend

1. List of fittings with abbreviations used in the base unit.
2. List of fittings with abbreviations used in overhead unit.
3. Details of drawer system and handle used in the kitchen.
4. This suggests that the drawing is tentative and that before construction dimensions should be cross checked at the site.
5. Date of issuing the drawing is entered here. Date of revision is mentioned if there are any.
6. Details of the drawing like names of folder, client, designer and sales representative are mentioned here.

LEGEND	
BASE UNIT CABINETS	
01 OT440	Orgatray 440 Cutlery Tray
02 S	Sensys hinge for shutter
03 IS	InnoTech powder coated steel-Silver (70/470)mm
04 ISR	InnoTech Silver pot & pan with Railing (144/470)mm
05 BTC	Bin IT. Classic - 13L (Waste bin p/out)
06 C200	Cargo IQ 200mm with KA Channel 450 mm
07 M/O/U	Microwave Oven Unit 01
08 CM-RH	Cargoman 450mm(RH) with Blind Corner Hinge(W90*)
09 CD	Cargo Duo
10 SBH	Square Bin Holder
OVER HEAD CABINETS 02	
01 S	Sensys hinge for shutter
02 LHF	Folding Flap Fitting-Lift Advanced HF
Cabinet: InnoTech (470mm depth) Silver Finish with Railing 03 Handle: Lutetia	
Counter Top: Silestone (Hettich) Built-In Appliances: Blaupunkt (Hettich)	
Note: 04	
1) All dimension indicated in the drawing is tentative and it should be cross checked at site.	
2) All dimension are outer to outer including 18mm thick board partition for making carcass.	
3) Use Hettich Screws for best result & Lights for great ambience.	
2) REVISION: 05	
1) REVISION:	
ISSUE DATE: 27-01-2021	
DWG FOLDER 230121_NIT_JAS	TITLE 06 Plan and Elevations
CLIENT Jaskaran Singh	MARKETING REP. Mayank Singh
DESIGNED BY Nitish Patil	CHECKED BY Manish Kumar
 Hettich Technik Für Möbel Hettich India Pvt Ltd A -26/4, 1st Floor, Mohan Co-operative, Industrial Estate, New Delhi-110044	



Registered & Head Office:**Hettich India Private Limited**

302, Durolite House,
Opp. SAB TV, New Link Road,
Andheri (West), Mumbai - 400 053
Phone: +91 22 2674 3289/3356/4089
Fax: +91 22 2674 3267

Delhi Office:**Hettich India Private Limited**

A-26/4, 1st floor,
Mohan Co-operative Industrial Estate,
New Delhi - 110 044
Phone: +91 11 4889 4000, 4889 4005
Fax: +91 11 4889 4044

Vadodara Factory:

Plot No. 304, Dhanora,
Nandesari Road,
Near ECPL,
Village - Dhanora - 391 346
Dist. - Vadodara
Tel: + 91 26 5656 9003

Indore Factory:

Plot No. 1, Sector - 5,
Mhow - Neemuch Road,
Opp Lupin Ltd, Pithampur
Industrial Area, Pithampur
Madhya Pradesh -454 774

Application Centres:**New Delhi:**

61, Panchkuian Road,
New Delhi - 110 001
Ph. No. : +91 11 2358 0713,
2358 4603

Mumbai:

202, Durolite House, Opp. SAB TV,
New Link Road, Andheri (West),
Mumbai - 400 053
Ph.No. : +91 22 2639 9707

Chennai:

"Heavitree", Ground Floor,
47, Spur Tank Road,
Chetpet, Chennai - 600 031
Ph. No. : +91 44 4263 7227

Kolkata:

2nd Floor, Unit Number 2A,
Tirumala 22,
East Topsia Road,
Kolkata - 700 046
Ph. No. : +91 85850 44725

Hyderabad:

" Sai Krishna "
797 - A, Road No. 36,
Jubilee Hills,
Hyderabad - 500 034
Ph. No. : +91 40 2355 8994

Ahmedabad:

1st Floor, Unit No. 102,
Safal Pegasus,
Anand Nagar,
Ahmedabad - 380 015,
Ph. No. : +91 79 4032 2824

Bangalore:

Adventz Center, Ground Floor 28,
Cubbon Road, Shivaji Nagar,
Bangalore - 560 001
Ph. No. : +91 80 4530 0400,
4530 0401

Kochi:

41/2062D, 2nd Floor
Palarivattom signal
junction, NH 47 By-pass,
Kochi - 682 028
Ph. No. : +91 93 4900 3909

Indore:

Office No.106 and 107-A,
"Brilliant Titanium",
Plot No.9, Scheme No.78, Part-II,
Indore - 452 010, Madhya Pradesh,
Ph. No. : +91 93 0171 7343

Chandigarh:

2nd Floor, Aspire Tower,
Plot no. 55, Industrial
& Business park, Phase 1,
Chandigarh - 160 002
Ph. No. : +91 93 1755 7195

Pune:

Server Space ,
Survey No. 127/1a ,
Plot No. 8, Off. Iti Road,
Aundh, Pune - 411 007
Ph. No. : +91 72 0847 6557

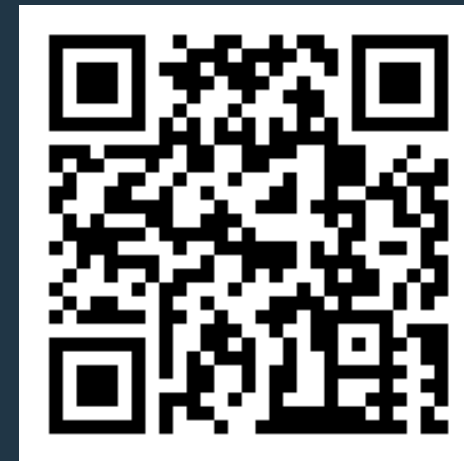
Training Center Address:

Hettich Poddar Wood Work Institute
Plot No.2, 1st Floor, DLF Industrial Estate-1
Near NHPC Metro Station,
Faridabad- Haryana
Ph: 0129 - 4203888
Email: info@hpwwi.com

Enquiry & Customer Services

Toll Free : 1800 209 2096 (office hours)
Email: sales_enquiry@in.hettich.com
customer_services@in.hettich.com
www.hettich.com

Scan QR Code

Visit us
www.hettich.com

DESIGN GUIDELINES

Free Design Service

Hettich India Private Limited
302, Durolite House,
Opp. SAB TV, New Link Road,
Andheri (West), Mumbai - 400 053
Phone: +91 22 2674 3289/3356/4089
Fax: +91 22 2674 3267

Enquiry & Customer Services
Toll Free : 1800 209 2096 (office hours)
Email: sales_enquiry@in.hettich.com
customer_services@in.hettich.com
Manish.Kumar@hettich.com
+91 129 4203801
www.hettich.com



Hettich